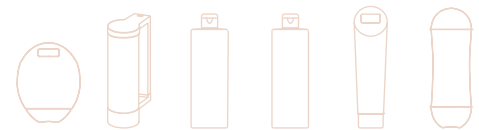


DISPENSER _THE BRIGHT CHOICE

PRODUCT CATALOGUE

gfl
SKIN CARE





WHY CHOOSE A DISPENSER?

A dispenser considerably reduces the quantity of daily disposable waste; the usage of plastic is significantly reduced as well as the plastic being very light and fully recyclable.

The ratio of plastic used per millilitre is much lower than the plastic used in a single use bottle. In comparison to a 30 ml bottle, the amount of plastic used is 60% less. Because of the controlled dosage system, the right amount of cosmetic is used each time, therefore further reducing wastage of the product.



Easier management of amenities stock

60%
LESS plastic per millilitre than a 30ml bottle.

Reduction of risk of theft.













<90%
Recyclable plastic.

Faster and easier housekeeping.

Controlled dosage system.



The wide range of GFL dispensers includes different models, all aesthetically and functionally designed with a particular attention to detail, so much that they can sometimes be considered as real furnishings. Attention to design is accompanied by great care in all hygienic and economic aspects, as well as in environmental friendliness, so as to create an extremely interesting product for the hospitality world. Given their smart nature but with a “green” soul, the dispenser proves to be a very trendy and highly demanded solution for hotels.

DISPENSER MODEL	Available Tank 3L	Customizable	P.	Brands
01. Ovosap dispenser OVR380 		✓	6	 Soapify.
02. Cysoap dispenser CYR360 		✓	9	THE RERUM NATURA hopal
03. Round pump dispenser FLR400 	 ✓	✓	15	THE RERUM NATURA P R I J A GENEVA GUILD  
04. Square pump dispenser FLR500 	 ✓	✓	20	 GUEST LOVE <i>established 1995</i>
05. Swing me dispenser HMR341 		✓	26	 GENEVA GUILD
06. Squeezable dispenser DSR330 		✓	30	Neutra TRAVELRAC



OI OVOSOAP
DISPENSER
OVR380

OVOSOAP DISPENSER

*Curvy and elegant design.
Combines refined shape with high
capacity. Suitable for contemporary
and luxury environments.*

OVR380

380 ml e 12,84 fl.oz.

CARACTERISTICS:

Use and Display

- * Easy maintenance.
- * Double level band, to check the quantity of product left .
- * Can be fixed to the wall with screw or adhesive brackets.
- * Available in semi transparent and white version with double level band, to check the quantity of product left.

Cosmetic Range

- * Wide range of cosmetics available.

Thinking Environment

- * Bottle made in PP, recyclable material.
- * Optimization of individual dosages.



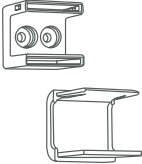
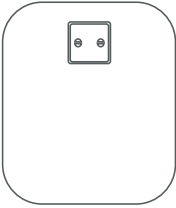
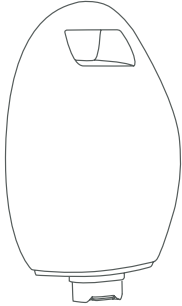


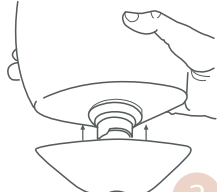
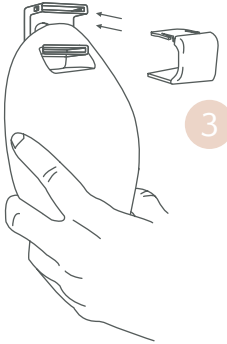
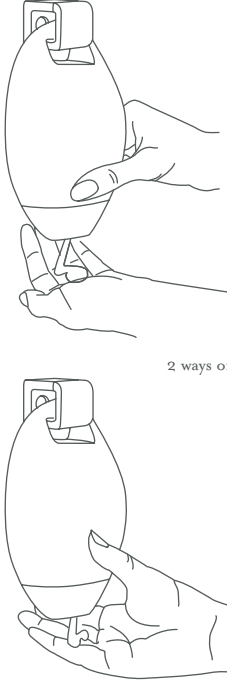
Ovosoap is part of the following GFL ranges:



Soapify.

White bottle OVR380 + valve cover OVC#BI
White wall bracket with screw OVS#BI
Artwork printed directly on bottle

TECHNICAL INFORMATIONS FOR
OVOSOAP DISPENSER OVR380

Dispenser elements	Assembly instructions	How to use it
<p>Wall bracket with screws OVS#BI</p>  <p>OR</p> <p>Adhesive bracket OVB#BI</p>  <p>Dispenser recharge OVR380</p>  <p>Valve cover OVC#BI</p> 	<p>1</p>  <p>2</p>  <p>3</p> 	 <p>2 ways of squeezing</p> <p>Stop Hygienic Problems! No one can access the liquids.</p>

The dispenser cartridge lasts approximately 1 month - 8



02 CYSOAP
DISPENSER
CYR360



CYSOAP DISPENSER

*Minimalistic and contemporary style.
Thanks to its cleverly designed assembling
kit, this wall dispenser is very easy to use.
Its cylindrical shape makes it perfectly
optimized.*

CYR360
360 ml e 12,17 fl.oz.

CHARACTERISTICS

Use and display

- * Easy to use.
- * Easy housekeeping.
- * Anti-theft assembly with key.
- * To be fixed on the wall with screws or adhesive tape.

Cosmetic Range

- * Wide range of cosmetics.
- * Certified Cosmetics available (Ecocert, Cosmebio, Nordic ecolabel).

Thinking Environment

- * Bottle made in PP, recyclable material.
- * Optimization of individual dosages.

Cysoap is part of the following GFL ranges:

THE RERUM NATURA hopal P R I J A

THE RERUM NATURA

Transparent matt PP bottle CYR360_T / White holder
CYS#BI / Label: dimension 47x77mm, white PE, on front
and back.



Ecocert cosmetics, to be co-branded,
must follow a new certification program.

CYSOAP DISPENSER
CYS360



P R I J A

Transparent matt bottle
(CYS360_T) / Black wall bracket
with screw (CYS#NE) / Label:
dimension 45x120 mm, white PE
on front and back of bottle.

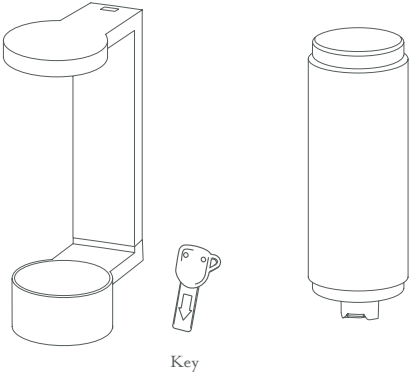
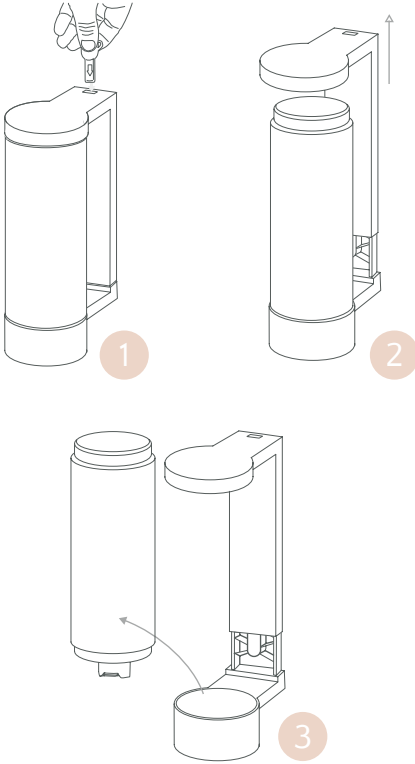
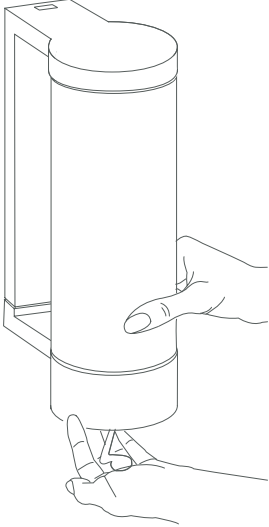


hopal

Transparent matt bottle (CYS360_T) / White wall
bracket with screw (CYS#BI) / Label: dimension
45x120 mm, white PE on front and back of bottle.



TECHNICAL INFORMATIONS FOR
CYSOAP DISPENSER CYR360

Dispenser elements	Assembly instructions	How to use it
<p data-bbox="179 325 274 365">Wall bracket CYS#BI</p> <p data-bbox="437 325 585 365">Dispenser cartridge CYR360</p>  <p data-bbox="322 757 355 776">Key</p>	 <p data-bbox="770 647 816 692">1</p> <p data-bbox="1038 647 1084 692">2</p> <p data-bbox="949 1027 995 1072">3</p>	 <p data-bbox="1231 1047 1474 1092">Stop Hygienic Problems! No one can access the liquids.</p>

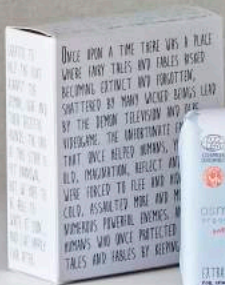
The dispenser cartridge lasts approximately 1 month - 14

osmè
organic
BABY & KIDS

Bottles FLR400 with transparent pump FLP.TR,
label dimension 48x77 in white PE.



Ecocert cosmetics, to be co-branded,
must follow a new certification program.



03 ROUND PUMP DISPENSER FLR400

THE RERUM NATURA

Transparent matt bottles FLR400 with transparent pump
FLP_TR, label dimension 48x77 in white PE.



Ecocert cosmetics, to be co-branded,
must follow a new certification program.



ROUND PUMP DISPENSER

This comforting and elegant dispenser is an evergreen choice for retail and hotels as well as public areas.

Extremely flexible, thanks to a wide range of accessories it can be placed almost everywhere.

FLR400

380 ml € 12,84 fl.oz.

CARACTERISTICS:

Use and Display

- * Can be displayed on wall, as well as freestanding.
- * To be fixed on the wall with screws.
- * Classic design.

Cosmetic Range

- * Wide range of cosmetics.
- * Certified Cosmetics available (Ecocert, Cosmebio, Ecolabel).
- * Cosmetics for kids available (Ecocert Cosmebio certified)

Thinking Environment

- * Made in PET, recyclable material.
- * Available 3L tank.



FLR400 is part of the following GFL ranges:

THE RERUM NATURA

P R I J A

GENEVA GUILD

osmè
organic
BABY & KIDS

osmè
organic

ROUND PUMP
DISPENSER
FLR400



P R I J A

Bottle FLR400 with black pump FLP_NE, label dimension 48x77 in white PE.

This image: Single wall bracket SSH_S with round holder SSB_R.


Image on the left: Double wall bracket SSH_D with 2 round holders SSB_R.





osmé
organic

Bottles FLR400 with transparent pump FLP_TR,
label dimension 48x77 in transparent PE.

Ecocert cosmetics, to be co-branded, must follow a new certification program. 



04 SQUARE
PUMP DISPENSER
FLR500

SQUARE PUMP DISPENSER

*Sophisticated dispenser
with a characteristic squared shape that
makes it very generous in quantities.
Suitable for retail, hotels, public areas,
thanks to its wide range of accessories.*

FLR500
480 ml e 16,23 fl.oz.

CHARACTERISTICS:

Use and Display

- * Can be displayed on wall, as well as freestanding.
- * To be fixed on the wall with screws.
- * Artwork printed directly on the bottle.

Cosmetic Range

- * Wide range of cosmetics.
- * Certified Cosmetics available (Ecocert, Ecolabel).

Thinking Environment

- * Made in PET, recyclable material.
- * Available in 100% post consumer recycled PET (blue colour)
- * Available 3L tank.



FLR500 is part of the following GFL ranges:

• ANYAH
ECO SPA TREATMENT

GUEST LOVE
. established .
1995

ORGANIC EXTRACTS
AND PASSIFLORA
CORNFLOWER



SQUARE PUMP
DISPENSER
FLR500



Ecolabel cosmetics can be co-branded
with/without certification logo.



ANYAH
ECO SPA TREATMENT

Bottle FLR500 in 100% post consumer recycled PE, blue colour,
with Aluminium pump FLP_TA, printed on bottle.

This image: Single wall bracket SSH_S with square holder SSB_Q.

GUEST LOVE
• established •
1995


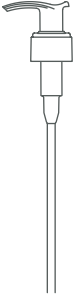
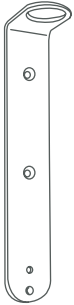
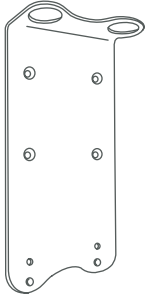
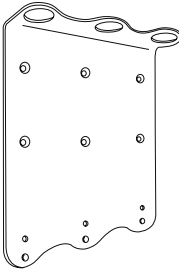

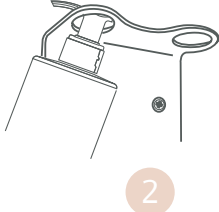
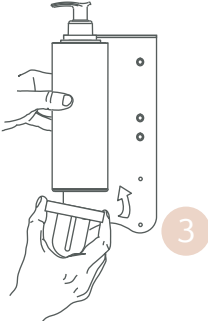

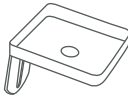
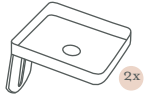
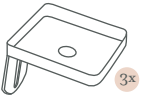


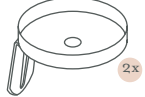
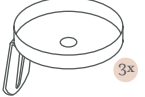
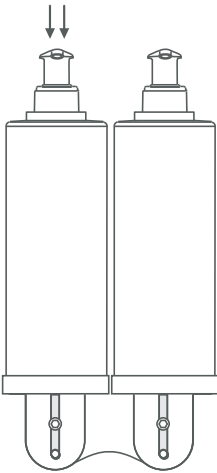
Bottle FLR500 with black pump FLP_NE, printed on bottle.

This image: Double wall bracket SSH_D with 2 square holders SSB_Q.



* Triple wall bracket
SSH_T is available only
for US market

TECHNICAL INFORMATIONS FOR
 ROUND DISPENSER FLR400 AND SQUARE DISPENSER FLR500

Dispenser elements			Assembly instructions			
<p>Dispenser bottle FLR400-500</p> 	<p>Pump FLP</p> 	<p>Wall brackets in stainless steel</p> <div style="display: flex; justify-content: space-around;"> <div style="text-align: center;"> <p>single bracket SSH_S</p>  </div> <div style="text-align: center;"> <p>double bracket SSH_D</p>  </div> <div style="text-align: center;"> <p>triple bracket SSH_T</p>  </div> </div> <p>* Available only for US market</p>	 <p>1</p>	 <p>2</p>	 <p>3</p>	
<p>FLR500 basis</p>  <p>59 mm</p>	<p>Square plate for FLR500 SSB_Q</p>   	<p>FLR400 basis</p>  <p>Ø 59 mm</p>	<p>Round plate for FLR400 SSB_R</p>   	<p>How to use</p> 		
<p>OR</p>			<p>Stop Hygienic Problems! No one can get in touch with liquids.</p>			



05 SWING ME
DISPENSER
HMR34I

SWING ME DISPENSER

Practical, essential and optimized in every detail.

And yes, it swings...

to offer the best simplicity of use.

This wall dispenser finds the compromise with economy, style and environment.

HMR341

340 ml e 11,49 fl.oz.

CHARACTERISTICS:

Use and Display

- * Double level band, so it is possible to check the remaining quantity of product.
- * Easy use and housekeeping.
- * To be fixed on the wall with screws or adhesive.
- * Available in white and blue version with double level band, to check the quantity of product left.

Cosmetic Range

- * Wide range of cosmetics.
- * Certified Cosmetics available (Ecolabel).

Thinking Environment

- * Made in PE, recyclable material.
- * Available in 93% post consumer recycled PE (blue colour)
- * Optimization of individual dosages.

HMR341 is part of the following GFL ranges:

• ANYAH
ECO SPA TREATMENT

GENEVA GUILD



SWING ME
DISPENSER
HMR34I



GENEVA GUILD

Swing me dispenser HMR34I in white PE, with semi transparent PE label 49x113 mm. White adhesive bracket and valve cover HMB#BI.

Transparent level band on the side, to verify the quantity of remaining product.




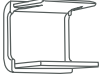
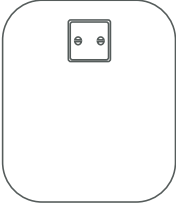
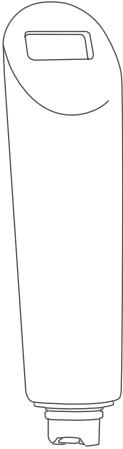
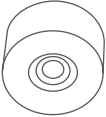

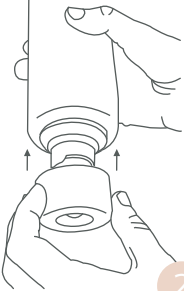

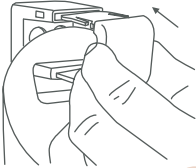
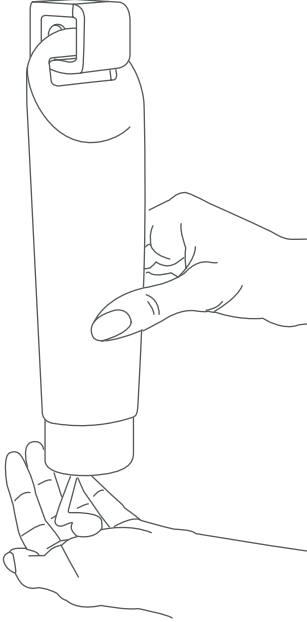
ANYAH
ECO SPA TREATMENT

Swing me Dispenser HMR34I in blue coloured PE, 100% post consumer recycled. With semi transparent PE label 49x113 mm. Blue screw bracket and valve cover HMS#P7545



Ecolabel cosmetics can be co-branded with/without certification logo.

TECHNICAL INFORMATIONS FOR
SWING ME DISPENSER HMR341

Dispenser elements	Assembly instructions	How to use
<p>Wall bracket with screws HMS</p>   <p>OR</p> <p>Adhesive bracket HMB</p>  <p>Dispenser recharge HMR341</p>  <p>Valve-cover HMC</p> 	 <p>1</p>  <p>2</p>  <p>3</p>  <p>4</p>	 <p>Stop Hygienic Problems! No one can get in touch with liquids.</p>



06 SQUEEZABLE DISPENSER DSR330

SQUEEZABLE DISPENSER

Friendly but delicate, through in-depth ergonomic studies, this product has been designed to best meet the demand of convenience and has made it particularly pleasant to the eye and touch.

DSR330
330 ml e 11,15 fl.oz.

CHARACTERISTICS

Use and display

- * Transparent dispenser or white with double level band, with double level band, to check the quantity of product left.
- * Easy use and housekeeping.
- * To be fixed on the wall with screws or adhesive.
- * Anti-theft assembly with key.

Cosmetic Range

- * Wide range of cosmetics.

Thinking Environment

- * Made in PE, recyclable material.

DSR330 is part of the following GFL ranges:

Neutra **TRAVELERAC**





TRAVELRAC

Squeezeable Dispenser DSR330 in white PE,
white PE label 51,15 x 120 mm.

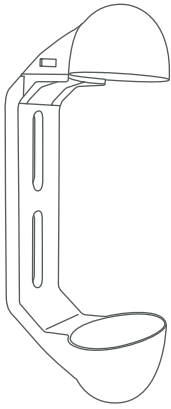
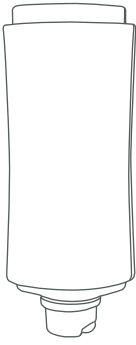
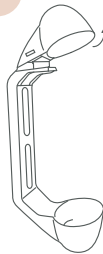


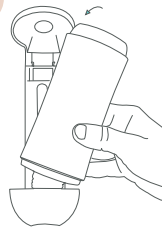

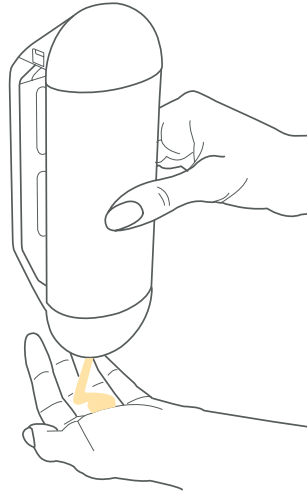
SQUEEZABLE DISPENSER DSR330

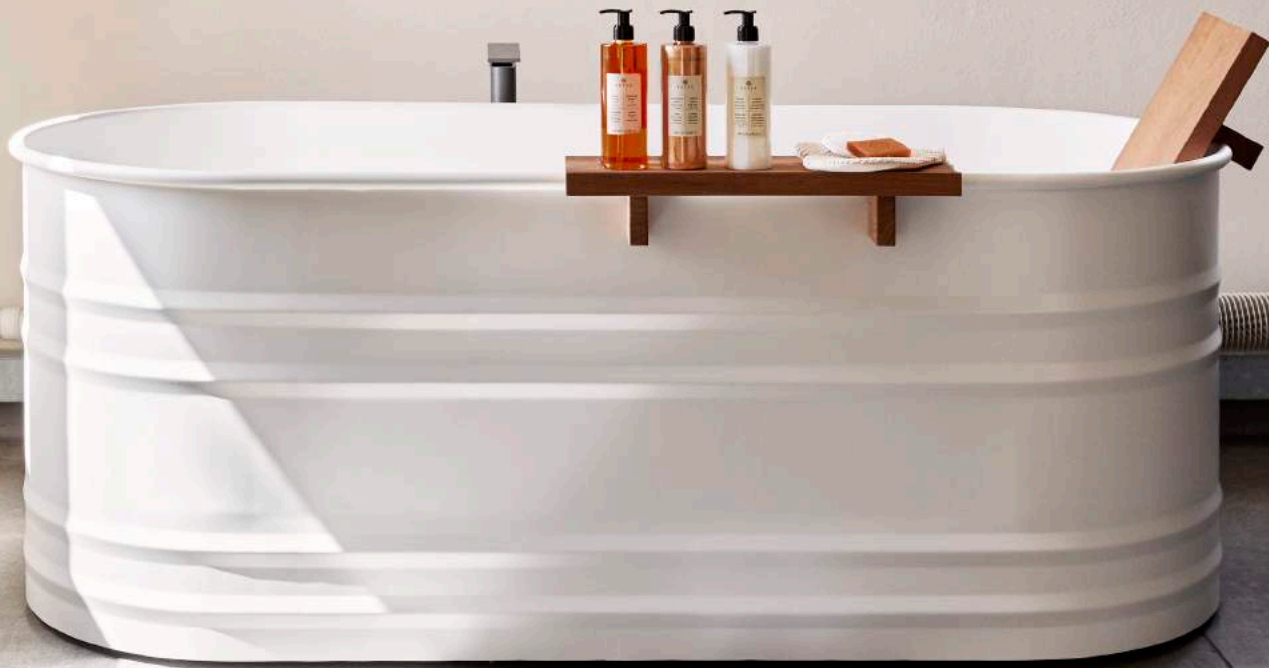


Neutra

Squeezeable Dispenser DSR330 in white PE,
transparent matt PE label 51,15 x 120 mm.
White bracket DSS (with screw) or DSB (adhesive).

TECHNICAL INFORMATIONS FOR
SQUEEZABLE DISPENSER DSR330

Dispenser elements	Assembly instructions	How to use
<p data-bbox="196 309 298 347">Wall bracket DSS or DSB</p>  <p data-bbox="375 309 529 347">Dispenser Recharge DSR330</p> 	<ol style="list-style-type: none"><li data-bbox="623 302 768 586">1 <li data-bbox="879 302 1067 566">2 <li data-bbox="623 592 751 843">3 <li data-bbox="854 592 1076 843">4 <li data-bbox="742 875 922 1139">5  <p data-bbox="760 695 845 792">With security key</p>	 <p data-bbox="1204 1043 1511 1094">Stop Hygienic Problems! No one can get in touch with liquids.</p>



DISPENSER _THE BRIGHT CHOICE

specially designed by
the creative team at GFL

January 2018

Special thanks to Agape,
for their wonderful location
www.agapedesign.it

GFL SA
Via Sorengo 1,
CH, 6900 Lugano

T +41 91 9607500
F +41 91 9607599
info@gfl.eu
www.gfl.eu
www.gflamenities.com

GFL USA Inc.
81 Prospect Street
Brooklyn, NY 11201

T +1 347-344-5942
info@gflamenities.com
www.gflamenities.com

GFL ME LLC
Platinum Link Business Center,
office D-219,
The Iridium, Umm Suqeim Road
PO box 282556 Al Barsha 1,
Dubai UAE
T +971 50 149 05 35
info@gfl.ae
www.gfl.ae